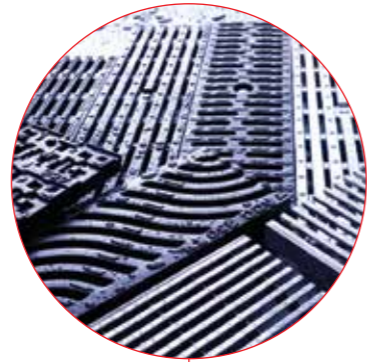
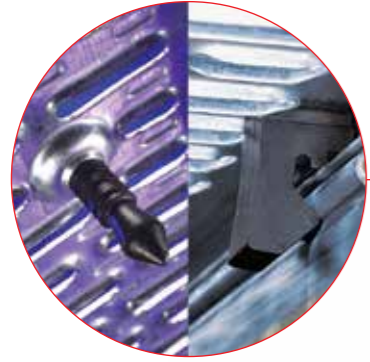


SlabDrain – Shallow Trench Drains

HK Series Product Features

QuickLok and DrainLok - Patented, boltless locking systems provide quick fitting and removal of grates. Helps reduce installation/maintenance time and cost.



Wide choice of grates - In various materials and styles including **Heelsafe® Anti-Slip** for applications from Load Class A to Load Class D for H100K, H200K and H300K.

H100K 100mm internal width

H200K 200mm internal width

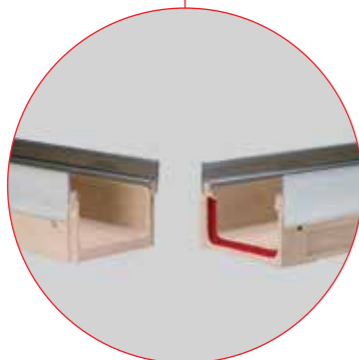
H300K 300mm internal width

Anti-shunt lugs - Protusions in grate fit into recesses on the edge rail to prevent longitudinal movement.



Steel edge rail - Provides additional strength and protects channel body from damage. Stainless steel edge rail is also available.

Polymer concrete - A durable, lightweight material made from polyester resin binder, reinforced with mineral aggregates and fillers. It provides up to four times the compressive strength of cement concrete.



Interconnecting end profiles - Allow easy and effective joining of channels. Appropriate sealant can be used to create a sealed joint.

HSK Series Product Features

Ductile iron grates - Rated up to AS 3996 Load Class G (approx. 30 tonne wheel load) heavy duty ductile iron Slotted or Intercept **Heelsafe® Anti-Slip** grates (Load Class D) for H100SK, H200SK and H300SK.



PowerLok - A patented, barless and boltless locking system that provides easy fitting and removal of grates. Reduces installation time, maintenance time and cost. Each grate is secured with four points of capture.



H100SK 100mm internal width

H200SK 200mm internal width

H300SK 300mm internal width

Ductile iron edge rail - Integrally cast-in rail provides maximum strength and protection for channel body. Shock absorbing widgets, with M10 stainless steel threads, fitted in rail to assist grate fit and aid hanging installation.

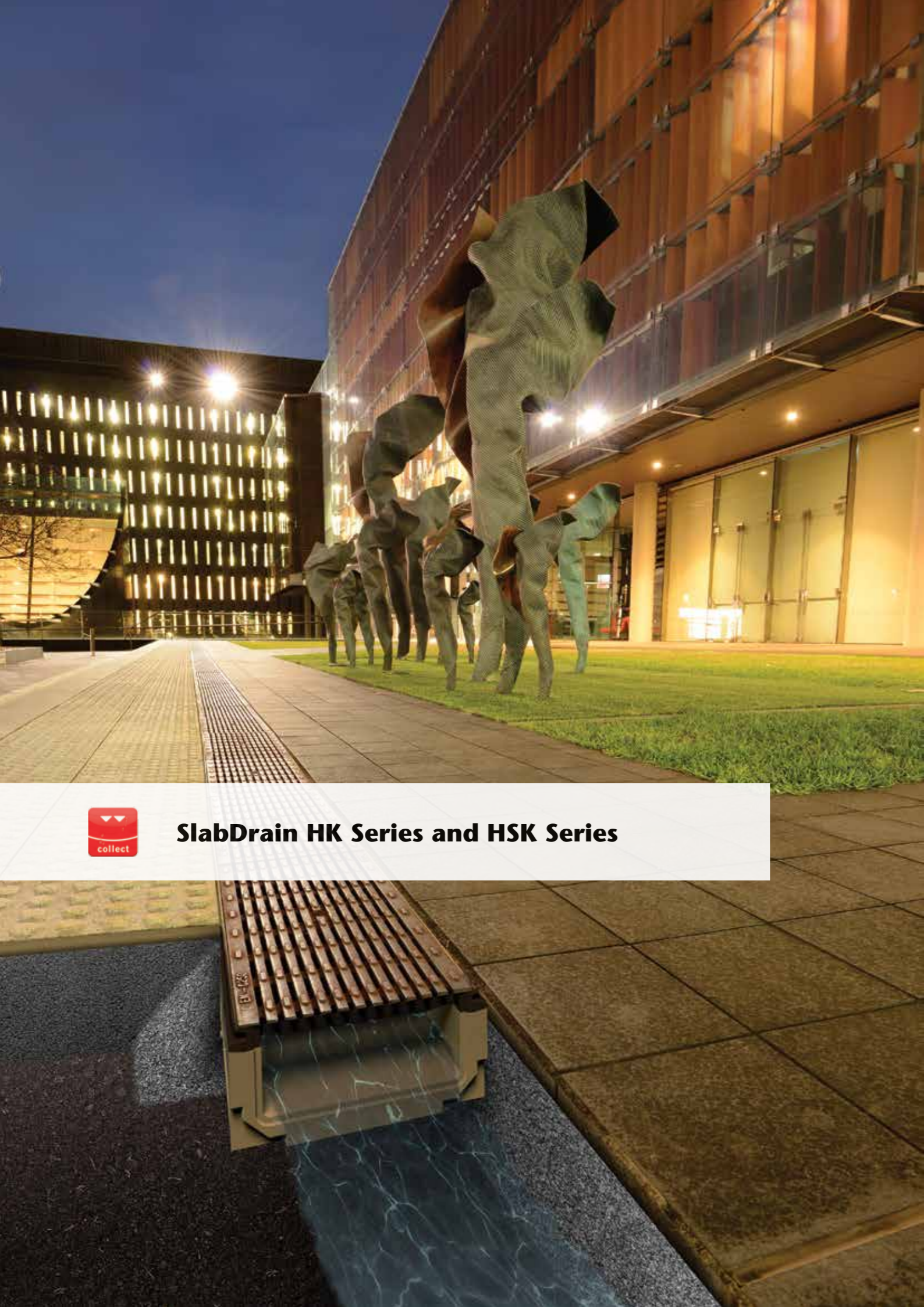
Profiled side walls - Provide channel body strength and mechanical keying to concrete encasement.



Knock-outs - Included on all neutral channels to enable a vertical outlet connection to the pipework. See product pages for details and sizes for each system.



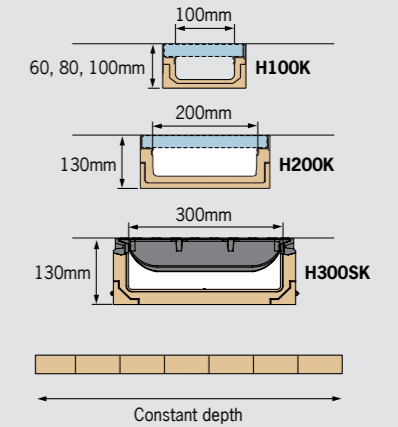
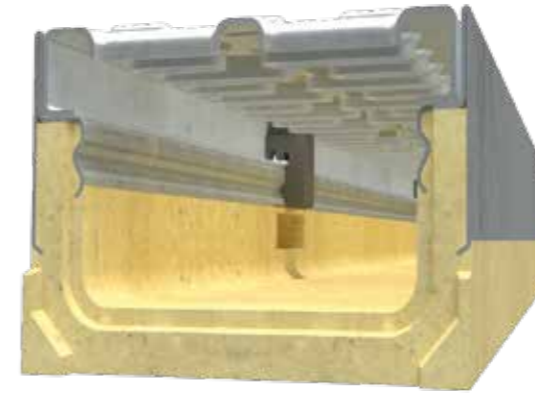
Anti-shunt lugs - Recesses in grate fit around lugs on the edge rail to prevent longitudinal movement.



SlabDrain HK Series and HSK Series

SlabDrain

Key Dimensions



SlabDrain is a shallow trench drainage system designed for applications where depth is a constraint. All SlabDrain channels are constant depth and are available in three standard widths.

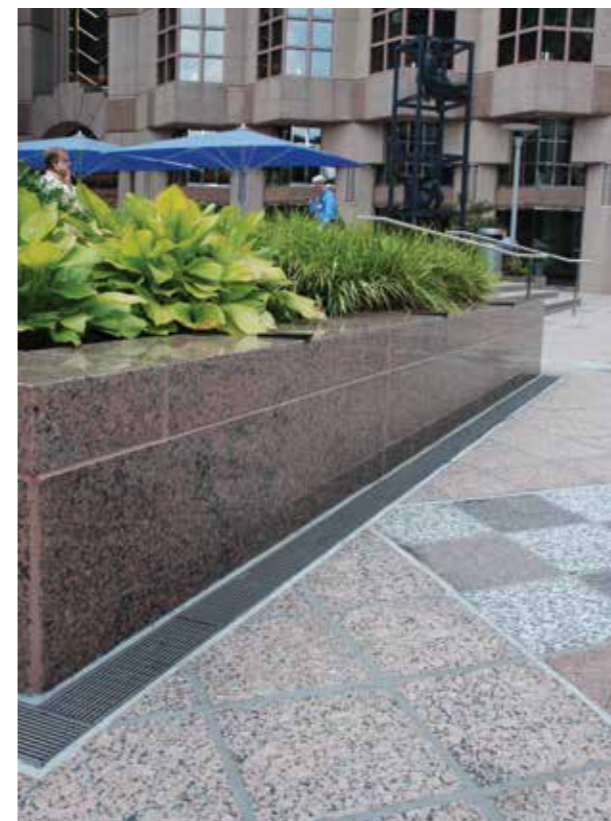
HK Series is a general purpose system with the widest choice of grate styles up to Load Class D (8 tonne wheel load). HSK Series is a heavy duty system with ductile iron grates up to a Load Class G (30 tonne wheel load).

Typical Applications

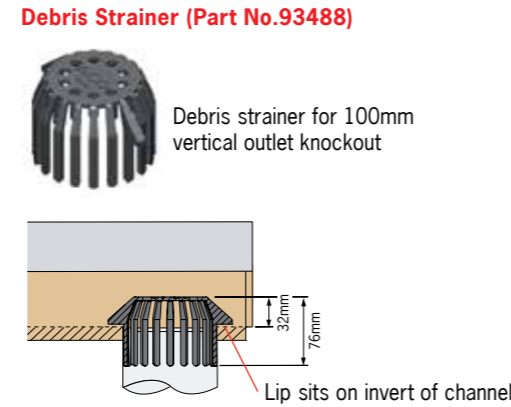
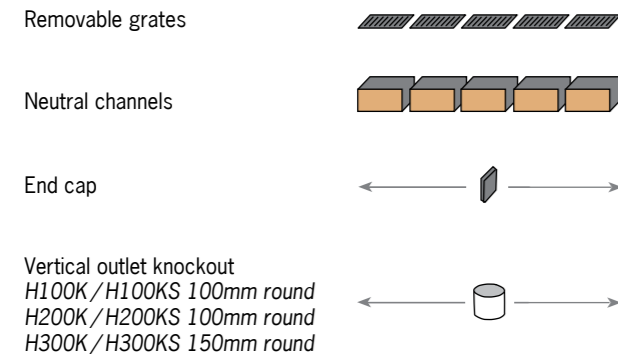
- Restricted depth areas
- Parking stations
- Elevated slabs
- Retro-fit
- Thresholds
- Balconies
- Outdoor entertainment areas

Selection Criteria

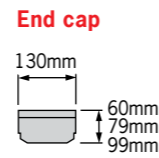
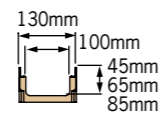
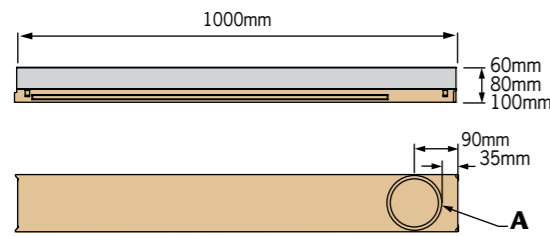
- Light to heavy duty loads, dependent on grate.
 - A** **B** **C** **D** **E** **F** **G**
- Chemical resistant, can be used in WSUD designs.
- Multiple grate options to meet design requirements.
- Limited hydraulic capacity.
- Neutral channels available.



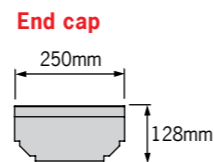
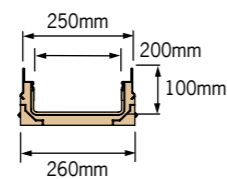
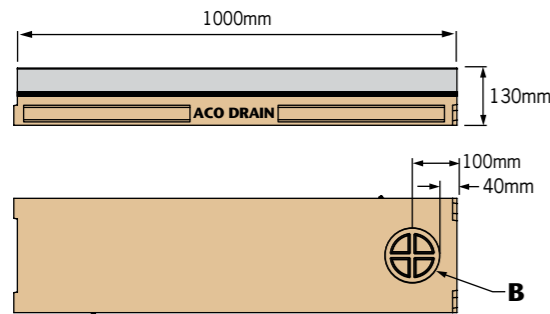
HK Series system layout



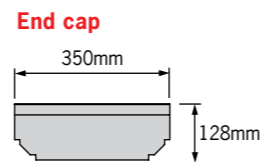
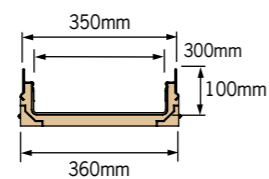
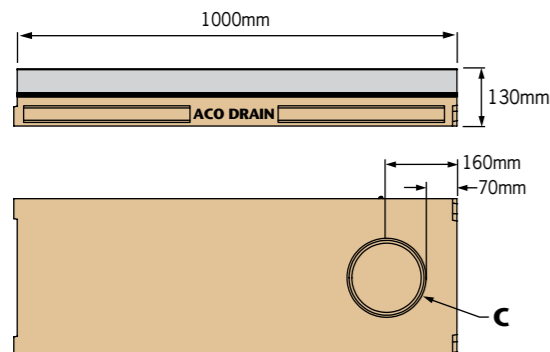
H100K / H100KS Channel



H200K / H200KS Channel



H300K / H300KS Channel



HK Series outlet flow rates

Channel outlet flow rates

Outlet	Channels	Outlet Type	Outlet Size	Invert Depth mm	Outlet Flow Rate L/s
A	H100K-60 / H100KS-60	Vertical	100mm round	45	4.8
A	H100K-80 / H100KS-80	Vertical	100mm round	65	5.8
A	H100K-100 / H100KS-100	Vertical	100mm round	85	6.6
B	H200K / H200KS	Vertical	100mm round	100	7.2
C	H300K / H300KS	Vertical	150mm round	100	16.1

Note: These are the pipe flow rates at the specified outlet, NOT channel flow rates.

H100K / H100KS Parts table

Channels and Accessories	Part No.		Invert Depth mm		Overall Depth mm		Volume L	Weight kg
	H100K	H100KS	Female	Male	Female	Male		
H100K-60 Neutral channel - (1m) ³	141803	141804	45	45	60	60	2.5	7.6
H100K-60 End cap	141805		-	-	60	60	-	0.1
H100K-80 Neutral channel - (1m) ³	141785	141786	65	65	80	80	4.5	9.0
H100K-80 End cap	141793		-	-	79	79	-	0.5
H100K-100 Neutral channel - (1m) ³	141787	141788	85	85	100	100	6.5	12.5
H100K-100 End cap	141794		-	-	99	99	-	0.6
Debris strainer for 100mm knockout	93488		-	-	-	-	-	0.1
Grate removal tool	01318		-	-	-	-	-	0.1

Note: 1. H100K has a galvanised steel edge rail for general use. H100KS has a grade 304 stainless steel edge rail for use where increased aesthetics or corrosion resistance is required. 2. SlabDrain is sold as channel only. Choose appropriate grate from pages 28 to 30. 3. Preformed 100mm dia. knockout cast on underside of channels.

H200K / H200KS Parts table

Channels and Accessories	Part No.		Invert Depth mm		Overall Depth mm		Volume L	Weight kg
	H200K	H200KS	Female	Male	Female	Male		
H200K Neutral channel - (1m) ³	141789	141790	100	100	130	130	14.0	27.2
H200K End cap	141795		-	-	128	128	-	1.0
Debris strainer for 100mm knockout	93488		-	-	-	-	-	0.1
Grate removal tool	01318		-	-	-	-	-	0.1

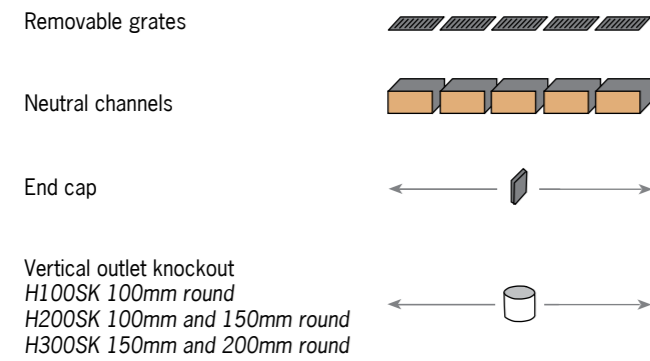
Note: 1. H200K has a galvanised steel edge rail for general use. H200KS has a grade 304 stainless steel edge rail for use where increased aesthetics or corrosion resistance is required. 2. SlabDrain is sold as channel only. Choose appropriate grate from pages 38 to 39. 3. Preformed 100mm dia. knockout cast on underside of channels.

H300K / H300KS Parts table

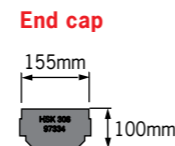
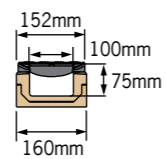
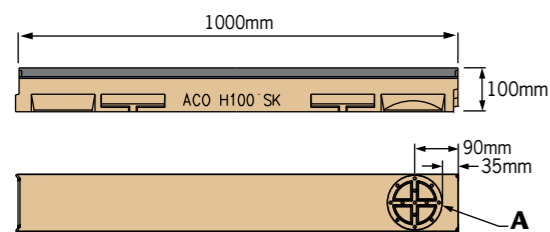
Channels and Accessories	Part No.		Invert Depth mm		Overall Depth mm		Volume L	Weight kg
	H300K	H300KS	Female	Male	Female	Male		
H300K Neutral channel - (1m) ³	141791	141792	100	100	130	130	21.0	33.7
H300K End cap	141796		-	-	128	128	-	1.4
Grate removal tool	01318		-	-	-	-	-	0.1

Note: 1. H300K has a galvanised steel edge rail for general use. H300KS has a grade 304 stainless steel edge rail for use where increased aesthetics or corrosion resistance is required. 2. SlabDrain is sold as channel only. Choose appropriate grate from pages 46 to 47. 3. Preformed 150mm dia. knockout cast on underside of channels.

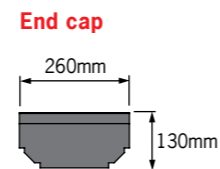
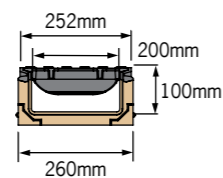
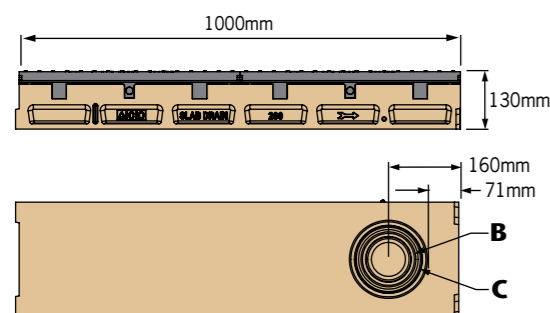
HSK Series system layout



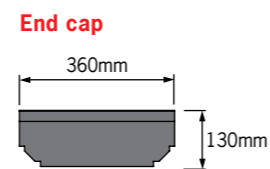
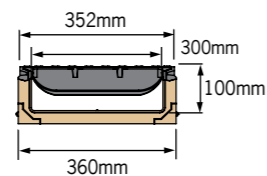
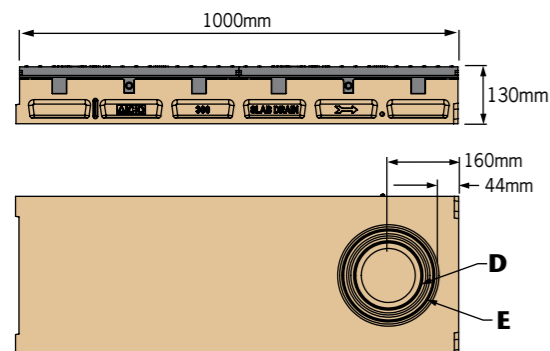
H100SK Channel



H200SK Channel



H300SK Channel



HSK Series outlet flow rates

Channel outlet flow rates

Outlet	Channels	Outlet Type	Outlet Size	Invert Depth mm	Outlet Flow Rate L/s
A	H100SK	Vertical	100mm round	75	5.9
B	H200SK	Vertical	100mm round	100	6.8
C	H200SK	Vertical	150mm round	100	15.3
D	H300SK	Vertical	150mm round	100	15.3
E	H300SK	Vertical	200mm round	100	27.2

Note:
These are the pipe flow rates at the specified outlet, NOT channel flow rates.

H100SK Parts table

Channels and Accessories	Part No.	Invert Depth mm		Overall Depth mm		Volume L	Weight kg
		Female	Male	Female	Male		
H100SK Neutral channel - (1m) ²	93412	75	75	100	100	5.5	20.4
H100SK End cap	97334	-	-	100	100	-	0.5
Debris strainer for 100mm knockout	93488	-	-	-	-	-	0.1
Grate removal tool	01318	-	-	-	-	-	0.1
PowerLok safety clip	10443	-	-	-	-	-	-

Note:
1. SlabDrain is sold as channel only. Choose appropriate grate from page 72.
2. Preformed 100mm dia. knockout cast on underside of channels.

H200SK Parts table

Channels and Accessories	Part No.	Invert Depth mm		Overall Depth mm		Volume L	Weight kg
		Female	Male	Female	Male		
H200SK Neutral channel - (1m) ²	63456	100	100	130	130	14.0	27.6
H200SK End cap	93460	-	-	130	130	-	0.5
Debris strainer for 100mm knockout	93488	-	-	-	-	-	0.1
Grate removal tool	01318	-	-	-	-	-	0.1
PowerLok safety clip	10443	-	-	-	-	-	-

Note:
1. SlabDrain is sold as channel only. Choose appropriate grate from page 80.
2. Preformed 100mm and 150mm dia. knockout cast on underside of channels.

H300SK Parts table

Channels and Accessories	Part No.	Invert Depth mm		Overall Depth mm		Volume L	Weight kg
		Female	Male	Female	Male		
H300SK Neutral channel - (1m) ²	63466	100	100	130	130	21.0	37.3
H300SK End cap	93470	-	-	130	130	-	0.6
Grate removal tool	01318	-	-	-	-	-	0.1
PowerLok safety clip	10443	-	-	-	-	-	-

Note:
1. SlabDrain is sold as channel only. Choose appropriate grate from page 88.
2. Preformed 150mm and 200mm dia. knockout cast on underside of channels.