

SPECIFICATION CLAUSE
DOUBLE BRICKSLOT 200 WITH H200KS CHANNEL
- 2,670kg WHEEL LOAD

GENERAL

THE SURFACE DRAINAGE SYSTEM SHALL BE ACO'S DOUBLE BRICKSLOT 200 WITH H200KS POLYMER CONCRETE CHANNEL SYSTEM WITH STAINLESS STEEL EDGE RAILS AS MANUFACTURED BY ACO.

MATERIALS

H200KS CHANNELS SHALL BE MANUFACTURED FROM POLYESTER RESIN POLYMER CONCRETE WITH INTEGRALLY CAST-IN STAINLESS STEEL EDGE RAILS. PROPERTIES OF POLYMER CONCRETE WILL BE AS FOLLOWS WITH SUPPORTING DOCUMENTATION:

| | |
|---------------------------------------|--------------------------------|
| COMPRESSIVE STRENGTH: | 98 MPa |
| FLEXURAL STRENGTH: | 26 MPa |
| TENSILE STRENGTH: | 14 MPa |
| WATER ABSORPTION: | 0.07% |
| FROST PROOF: | YES |
| COEFFICIENT OF EXPANSION/CONTRACTION: | 2.02x10⁻⁵/°C |
| WATER VAPOUR TRANSMISSION: | 0.0364g/m² |
| NON FLAMMABLE: | YES |
| COEFFICIENT OF ROUGHNESS (MANNINGS): | n=0.011 |
| RESISTANT TO WEATHERING: | YES |
| DILUTE ACID AND ALKALI RESISTANT: | YES |
| SF SEALANT GROOVE | YES |

CHANNELS

H200KS CHANNEL SHALL BE 200mm NOMINAL INTERNAL WIDTH WITH AN OVERALL WIDTH OF 250mm. ALL CHANNELS SHALL BE INTERLOCKING WITH A MALE/FEMALE JOINT.

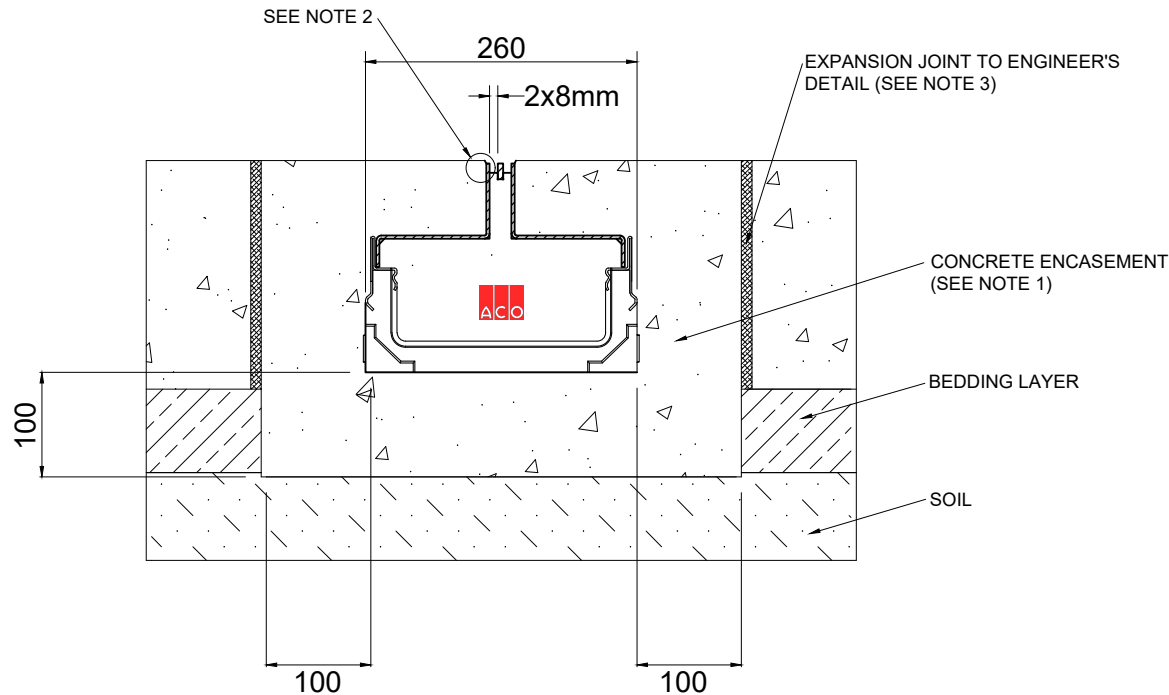
DOUBLE BRICKSLOT 200

THE BRICKSLOT SHALL BE MANUFACTURED FROM STAINLESS STEEL AND HAVE MINIMUM PROPERTIES AND CHARACTERISTICS AS FOLLOWS:

- 2 x 8mm WIDE SLOT TO BLEND IN WITH PAVING JOINTS
- MEETS AS 1428.2 (CLAUSE 9c); AS 3996 (CLAUSE 3.3.5 & 3.3.6)
- 69mm SLOT HEIGHT FOR MAXIMUM PAVER DEPTH OF 63mm
- INTAKE AREA OF 16,000mm² PER METRE/8,000mm² PER HALF A METRE
- ACCESS UNITS TO ALLOW ACCESS FOR MAINTENANCE TO BE LOCATED AT BOTH ENDS OF THE DRAIN, AT THE OUTLET AND/OR SPACED AT 20-30 METRE INTERVALS

INSTALLATION

THE COMPLETE DRAINAGE SYSTEM SHALL BE BY ACO AND TO BE INSTALLED FOR ITS INTENDED PURPOSE. ANY DEVIATION OR PARTIAL USE OF THE SPECIFIED SYSTEM AND/OR IMPROPER INSTALLATION WILL VOID ALL WARRANTIES PROVIDED BY ACO.



NOTES:

1. Specific site conditions may require an increase in the concrete encasement dimensions and/or reinforcement. It is the customer's responsibility to ensure the concrete encasement is designed for the application. A minimum concrete strength of 25MPa is recommended. The concrete should be vibrated to eliminate air pockets. *Engineering advice may be required.*
2. The finished level of the concrete encasement must be approximately 3mm above the top of the Brickslot.
3. Expansion and crack control joints are recommended to protect the channel and the concrete encasement. *Engineering advice may be required.*
4. For further details, refer to ACO's design & site installation files at www.acodrain.com.au/product-support/downloads.

DB2H2KS-AB-C

DOUBLE BRICKSLOT 200 WITH H200KS - 2,670kg WHEEL LOAD
FOR CONCRETE SLAB



DATE: 05/20

INSTALLATION DRAWING - ACO DRAIN

ACO Pty Ltd
 Australia
 Ph: 1300 765 226
www.acodrain.com.au

ACO Limited
 New Zealand
 Ph: 0800 448 080
www.acodrain.co.nz