

**SPECIFICATION CLAUSE  
SLABDRAIN H300K - LOAD CLASS A-B**

**GENERAL**

THE SURFACE DRAINAGE SYSTEM SHALL BE ACO'S SLABDRAIN H300K POLYMER CONCRETE SHALLOW CHANNEL SYSTEM WITH GALVANISED STEEL EDGE RAILS AS MANUFACTURED BY ACO.

**MATERIALS**

H300K CHANNELS SHALL BE MANUFACTURED FROM POLYESTER RESIN POLYMER CONCRETE WITH INTEGRALLY CAST-IN GALVANISED STEEL EDGE RAILS. PROPERTIES OF POLYMER CONCRETE WILL BE AS FOLLOWS WITH SUPPORTING DOCUMENTATION:

COMPRESSIVE STRENGTH:	<b>98 MPa</b>
FLEXURAL STRENGTH:	<b>26 MPa</b>
TENSILE STRENGTH:	<b>14 MPa</b>
WATER ABSORPTION:	<b>0.07%</b>
FROST PROOF:	<b>YES</b>
COEFFICIENT OF EXPANSION/CONTRACTION:	<b>2.02x10<sup>-5</sup>/°C</b>
WATER VAPOUR TRANSMISSION:	<b>0.0364g/m<sup>2</sup></b>
NON FLAMMABLE:	<b>YES</b>
COEFFICIENT OF ROUGHNESS (MANNINGS):	<b>n=0.011</b>
RESISTANT TO WEATHERING:	<b>YES</b>
DILUTE ACID AND ALKALI RESISTANT:	<b>YES</b>
SF SEALANT GROOVE	<b>YES</b>

**CHANNELS**

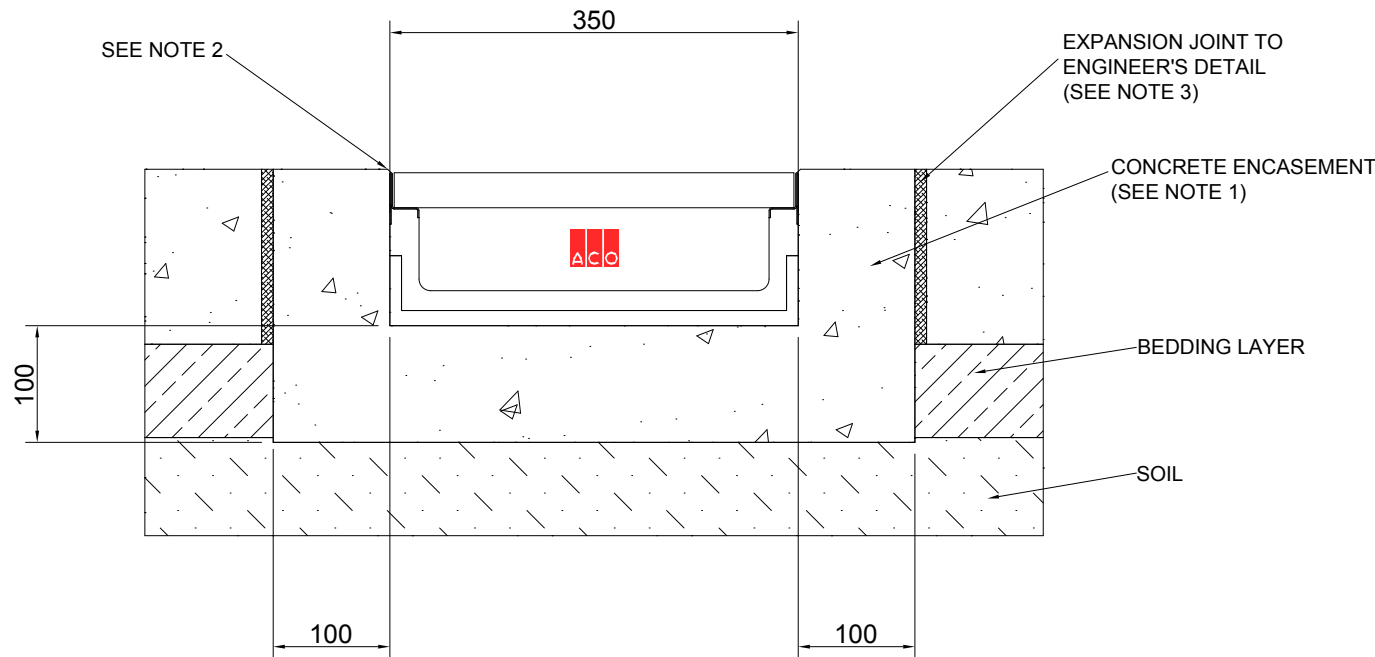
H300K CHANNEL SHALL BE 300mm NOMINAL INTERNAL WIDTH WITH AN OVERALL WIDTH OF 350mm. CHANNELS SHALL HAVE AN OVERALL DEPTH OF 130mm FOR USE IN AREAS WITH DEPTH RESTRICTIONS. ALL CHANNELS SHALL BE INTERLOCKING WITH A MALE/FEMALE JOINT.

**GRATES**

INSERT SPECIFICATION FOR THE SELECTED GRATE. REFER TO THE RELEVANT ACO SPECIFICATION INFORMATION SHEET.  
CLICK: [www.acodrain.com.au/resources](http://www.acodrain.com.au/resources)

**INSTALLATION**

THE COMPLETE DRAINAGE SYSTEM SHALL BE BY ACO AND TO BE INSTALLED FOR ITS INTENDED PURPOSE. ANY DEVIATION OR PARTIAL USE OF THE SPECIFIED SYSTEM AND/OR IMPROPER INSTALLATION WILL VOID ALL WARRANTIES PROVIDED BY ACO.



**NOTES:**

1. Specific site conditions may require an increase in the concrete encasement dimensions and/or reinforcement. It is the customer's responsibility to ensure the concrete encasement is designed for the application. A minimum concrete strength of 25MPa is recommended. The concrete should be vibrated to eliminate air pockets. *Engineering advice may be required.*
2. The finished level of the concrete encasement must be approximately 3mm above the top of the channel edge.
3. Expansion and crack control joints are recommended to protect the channel and the concrete encasement. *Engineering advice may be required.*
4. For further details, refer to ACO's design & site installation files at [www.acodrain.com.au/resources](http://www.acodrain.com.au/resources)

H3K-AB-C

**H300K - SLABDRAIN - LOAD CLASS: A-B  
FOR CONCRETE SLAB**



DATE: 12/13

**INSTALLATION DRAWING - ACO DRAIN**

ACO Polycrete Pty Ltd  
Australia  
Ph: 1300 765 226  
[www.acodrain.com.au](http://www.acodrain.com.au)

ACO Limited  
New Zealand  
Ph: 0800 448 080  
[www.acodrain.co.nz](http://www.acodrain.co.nz)