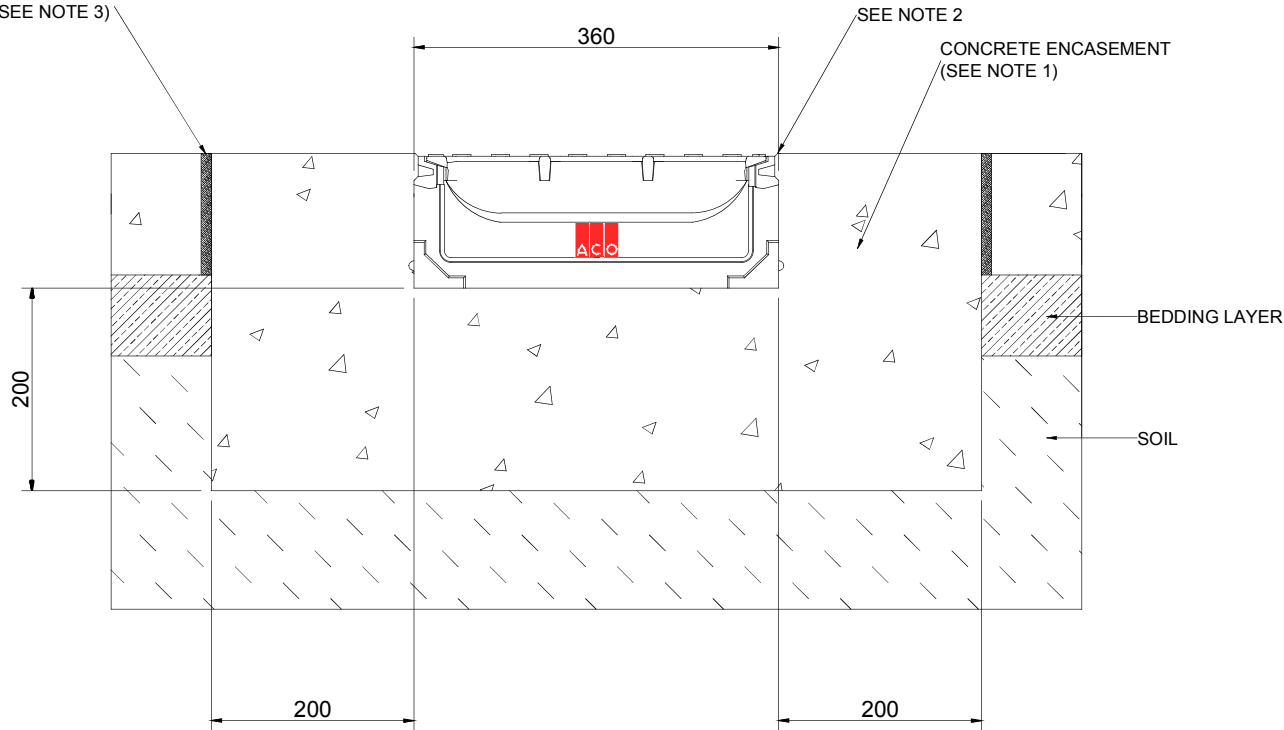


EXPANSION JOINT TO ENGINEER'S
DETAIL (SEE NOTE 3)



NOTES:

1. Specific site conditions may require an increase in the concrete encasement dimensions and/or reinforcement. It is the customer's responsibility to ensure the concrete encasement is designed for the application. A minimum concrete strength of 25MPa is recommended. The concrete should be vibrated to eliminate air pockets. *Engineering advice may be required.*
2. The finished level of the concrete encasement must be approximately 3mm above the top of the channel edge.
3. Expansion and crack control joints are recommended to protect the channel and the concrete encasement. *Engineering advice may be required.*
4. For further details, refer to ACO's design & site installation files at www.acodrain.com.au/resources

**SPECIFICATION CLAUSE
SLABDRAIN H300SK - LOAD CLASS E-G**

GENERAL

THE SURFACE DRAINAGE SYSTEM SHALL BE ACO'S SLABDRAIN H300SK POLYMER CONCRETE SHALLOW CHANNEL SYSTEM WITH DUCTILE IRON EDGE RAILS AS MANUFACTURED BY ACO.

MATERIALS

H300SK CHANNELS SHALL BE MANUFACTURED FROM POLYESTER RESIN POLYMER CONCRETE WITH INTEGRALLY CAST-IN DUCTILE IRON EDGE RAILS. PROPERTIES OF POLYMER CONCRETE WILL BE AS FOLLOWS WITH SUPPORTING DOCUMENTATION:

COMPRESSIVE STRENGTH:	98 MPa
FLEXURAL STRENGTH:	26 MPa
TENSILE STRENGTH:	14 MPa
WATER ABSORPTION:	0.07%
FROST PROOF:	YES
COEFFICIENT OF EXPANSION/CONTRACTION:	2.02x10⁻⁵/°C
WATER VAPOUR TRANSMISSION:	0.0364g/m²
NON FLAMMABLE:	YES
COEFFICIENT OF ROUGHNESS (MANNINGS):	n=0.011
RESISTANT TO WEATHERING:	YES
DILUTE ACID AND ALKALI RESISTANT:	YES
SF SEALANT GROOVE	YES

CHANNELS

H300SK CHANNEL SHALL BE 300mm NOMINAL INTERNAL WIDTH WITH AN OVERALL WIDTH OF 360mm. CHANNELS SHALL HAVE AN OVERALL DEPTH OF 130mm FOR USE IN AREAS WITH DEPTH RESTRICTIONS. ALL CHANNELS SHALL BE INTERLOCKING WITH A MALE/FEMALE JOINT.

GRATES

INSERT SPECIFICATION FOR THE SELECTED GRATE. REFER TO THE RELEVANT ACO SPECIFICATION INFORMATION SHEET.
CLICK: www.acodrain.com.au/resources

INSTALLATION

THE COMPLETE DRAINAGE SYSTEM SHALL BE BY ACO AND TO BE INSTALLED FOR ITS INTENDED PURPOSE. ANY DEVIATION OR PARTIAL USE OF THE SPECIFIED SYSTEM AND/OR IMPROPER INSTALLATION WILL VOID ALL WARRANTIES PROVIDED BY ACO.

H3SK-EG-C



DATE: 01/14

**H300SK - SLABDRAIN - LOAD CLASS: E-G
FOR CONCRETE SLAB**

INSTALLATION DRAWING - ACO DRAIN

ACO Polycrete Pty Ltd
Australia
Ph: 1300 765 226
www.acodrain.com.au

ACO Limited
New Zealand
Ph: 0800 448 080
www.acodrain.co.nz