

Product Features

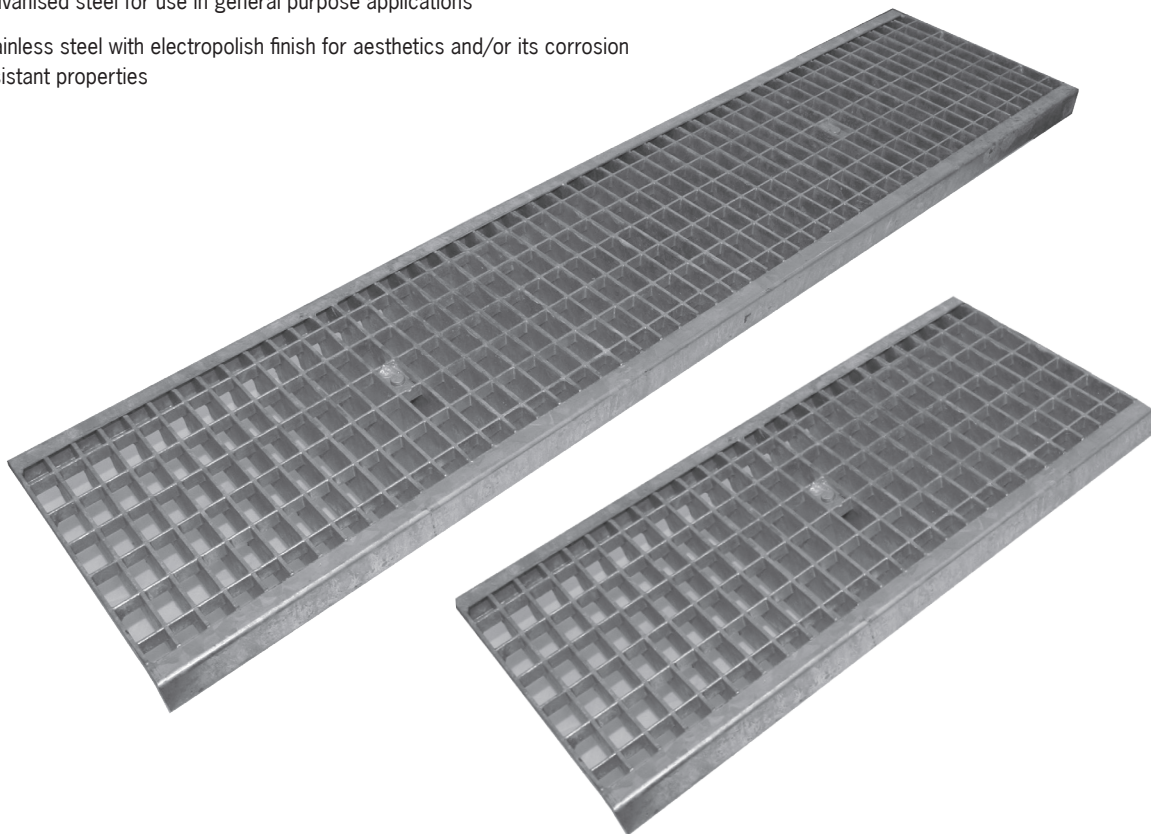


Certified to AS 3996 Load Class D (210kN)
(NATA endorsed load test reports available)



AS 3996 (Clause 3.3.7) compliant for bicycle tyre penetration resistance

- Recesses in the edge rail fit around 'anti-shunt' lugs on the grate to prevent longitudinal movement
- **QuickLok** boltless locking system
- Suitable for use with K200, KS200, H200K, H200KS channels
- Manufactured from either galvanised steel or Grade 304 stainless steel
- Galvanised steel for use in general purpose applications
- Stainless steel with electropolish finish for aesthetics and/or its corrosion resistant properties



Specifications

The grate shall be ACO Type 605Q/630Q* Galvanised/Stainless* Mesh grate with **QuickLok** boltless locking system as manufactured by ACO. This grate has an overall width of 238mm and overall length of 1000mm (Type 605Q/630Q*) and 500mm (Type 606Q/631Q*). Slot widths measure at a maximum of 17mm.

Materials & Design

The grate shall be manufactured from galvanised/stainless* steel and have **minimum** properties and characteristics as follows:

- Recesses in the edge rail fit around 'anti-shunt' lugs on the grate to prevent longitudinal movement
- Manufactured from galvanised/electropolish Grade 304 stainless* steel
- Certified to AS 3996 Load Class D (210kN)¹
- Meets AS 3996 (Clause 3.3.7)
- Intake area of 163,055mm² per metre of grate/81,140mm² per half metre of grate

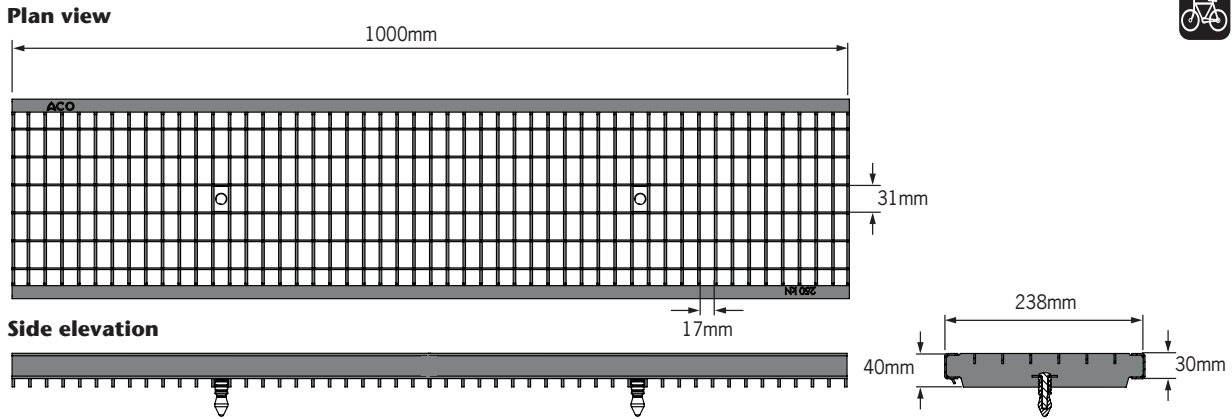
¹ NATA endorsed test reports available

For the specification of the ACO Drain channel system selected, click: <http://www.acodrain.com.au/product-support>

*delete as appropriate

ACO DRAIN®

Type 605Q/606Q/630Q/631Q Steel Mesh grate



Description	Part No.	Length (mm)	Width (mm)	Weight (kg)
QuickLok grate				
Type 605Q Galvanised Mesh	142405	1000	238	13.8
Type 606Q Galvanised Mesh	142406	500	238	7.1
Type 630Q Stainless Mesh	142407	1000	238	13.0
Type 631Q Stainless Mesh	142408	500	238	6.6
Grate removal tool	01318	-	-	0.1

Note: QuickLok bar/s included in grate Part Number.

QuickLok locking mechanism

ACO **QuickLok** is a patented boltless locking system, grates are removed and replaced with the minimum time and effort for ease of maintenance. The unique design provides a positive 'snap down' fit into the locking bar. A spigot is fixed to the grate which 'locks' into the spring in the locking bar.

The **QuickLok** spigot is manufactured from stainless steel and high density nylon, the locking bar and spring are stainless steel, for use in both general purpose and corrosive environments.

ACO Pty Ltd
Australia
Ph: 1300 765 226
www.acodrain.com.au
sales@acoaus.com.au

ACO Limited
New Zealand
Ph: 0800 448 080
www.acodrain.co.nz
sales@aconz.co.nz



© January 2022 ACO Pty Ltd. All reasonable care has been taken in compiling the information in this document. All recommendations and suggestions on the use of ACO products are made without guarantee since the conditions of use are beyond the control of the company. It is the customer's responsibility to ensure that each product is fit for its intended purpose and that the actual conditions are suitable. ACO Pty Ltd pursues a policy of continuous product development and reserves the right to amend specifications without notice.