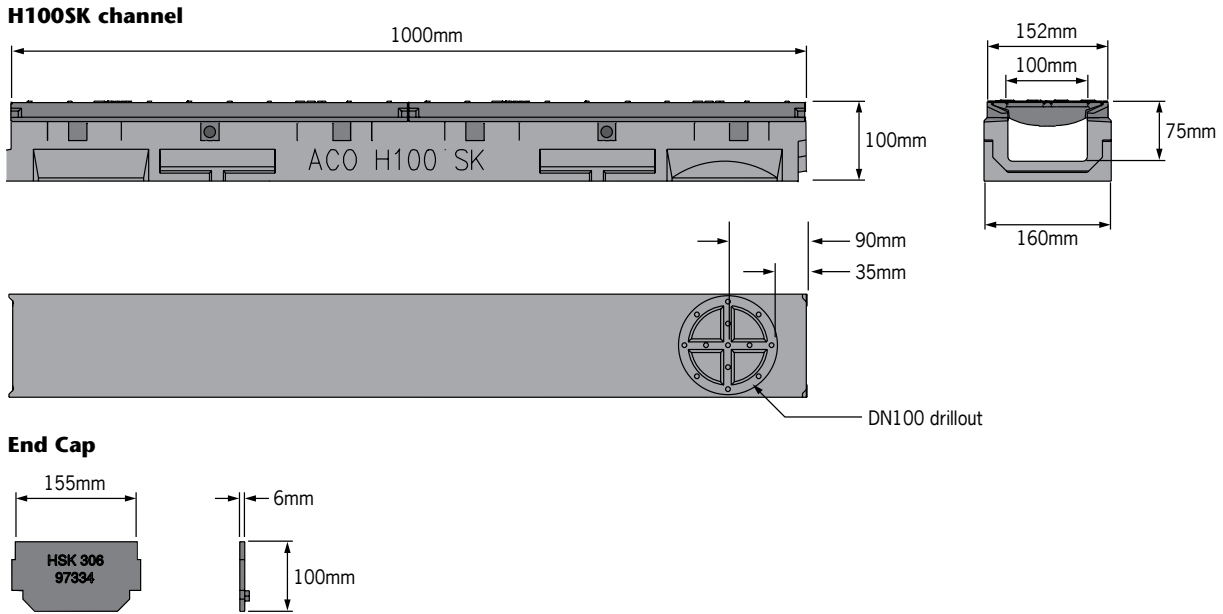


SlabDrain - H100SK Iron edge rail channel system



Outlet flow rates

Product	Outlet size	Invert Depth (mm)	L/s
H100SK	100mm round	75	5.9

Note: These are the pipe flow rates at the specified outlet, **NOT** channel flow rates.

ACO Specification Information

Description	Part No.	Invert ² (mm)	Weight (kg)
H100SK Neutral channel - (1m)	93412	75	20.4
End cap	97334	100 ³	0.5
Debris strainer for 100mm drillout	93488	-	0.1
Grate removal tool	01318	-	0.1
PowerLok safety clip	10443	-	-

Notes:

1. To calculate overall channel depth add 25mm to invert depth.
2. Overall depth of end cap.

Specifications

The surface drainage system shall be ACO's SlabDrain H100SK polymer concrete shallow channel system with ductile iron edge rails as manufactured by ACO.

Channels

H100SK channel shall be 100mm nominal internal width with an overall width of 160mm. Channel shall have an overall depth of 100mm for use in areas with depth restrictions. All channels shall be interlocking with a male/female joint.

Grates

Insert specification for the selected grate. Refer to the relevant ACO Specification Information sheet, at: <http://www.acodrain.com.au/resources>

Installation

The complete drainage system shall be by ACO and to be installed for its intended purpose. Any deviation or partial use of the specified system and/or improper installation will void all warranties provided by ACO.

Materials

H100SK channel shall be manufactured from polyester resin polymer concrete with integrally cast-in ductile iron edge rails.

Properties of polymer concrete will be as follows with supporting documentation:

Compressive Strength:	98 MPa
Flexural Strength:	26 MPa
Tensile Strength:	14 MPa
Water Absorption:	0.07%
Frost Proof:	YES
Coefficient of Expansion and Contraction:	2.02x10 ⁻⁵ /°C
Water Vapour Transmission:	0.0364g/m ²
Non Flammable:	YES
Roughness (Mannings):	n=0.011
Resistant to Weathering:	YES
Dilute Acid and Alkali Resistant:	YES
SF Sealant Groove:	YES

**ACO Polycrete Pty Ltd
Australia**

Ph: 1300 765 226
www.acodrain.com.au
sales@acoaus.com.au

**ACO Limited
New Zealand**

Ph: 0800 448 080
www.acodrain.co.nz
sales@aconz.co.nz

